

## WHEEL DOZER

# WD420-3

FLYWHEEL HORSEPOWER : 224HP @ 2200 RPM

BLADE CAPACITY : 3.1m<sup>3</sup>

OPERATING WEIGHT : 20000kg

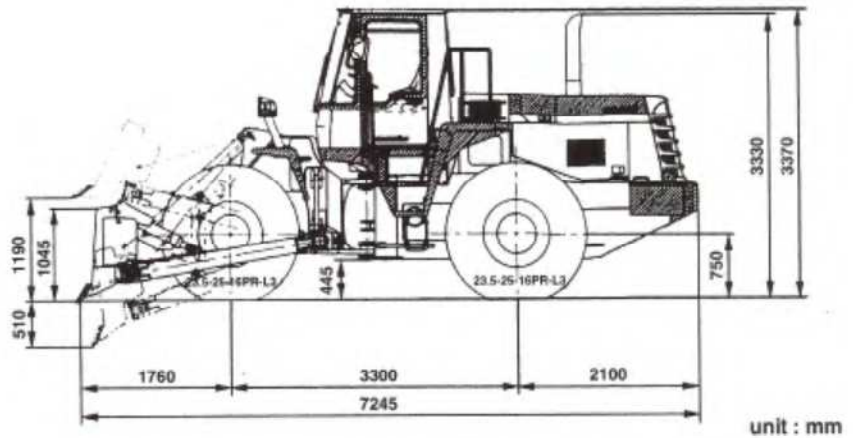
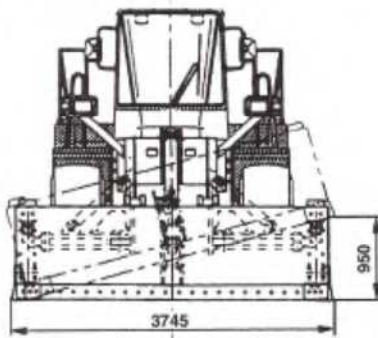


Model shown may include optional equipment.

- Komatsu components throughout the machine assure years of reliability and high-performance service.
- Adjustment-free wet disc brakes for steady braking and extended service life
- Electronic Display and Monitoring System for minimized maintenance
- A large drawbar horsepower with fuel-efficient, powerful Komatsu SA6D108 turbocharged diesel engine for high productivity and maneuverability
- Fingertip control with Electrically Controlled Transmission
- A tiltable steering wheel and fully adjustable suspension seat

**KOMATSU**

## DIMENSIONS



unit : mm

## SPECIFICATIONS

### PERFORMANCE:

#### Travel speeds:

Forward	1st	6.3 km/h
	2nd	11.7 km/h
	3rd	20.5 km/h
	4th	32.8 km/h
Reverse	1st	6.6 km/h
	2nd	12.2 km/h
	3rd	21.2 km/h
	4th	33.9 km/h
Max. rim pull		18100 kg
Turning radius:		
Outside corner of blade		6675 mm
Center of outside wheel		5650 mm

### DIMENSIONS

Overall length	7245 mm
Overall width, without blade	2820 mm
Overall height (to top of ROPS canopy)	3370 mm
Wheel base	3300 mm
Tread, front and rear	2200 mm
Min. ground clearance	445 mm

OPERATING WEIGHT(including counterweight) ..... 20000 kg

### DOZER EQUIPMENT:

Type	Straight, hydraulic tilting & pitching, with skidder
Max. lift above ground	1190 mm
Max. drop below ground	510 mm
Max. tilt adjustment	950 mm
Max. pitch angle of blade (total)	21°
Blade:	
Width	3745 mm
Height	1045 mm
Capacity	3.1 m <sup>3</sup>

### ENGINE:

Model	Komatsu SA6D108
Type	Water-cooled, 4 cycle, direct-injection, turbocharged & aftercooled diesel engine
No. of cylinders - bore x stroke	6-108 mm x 130 mm
Piston displacement	7.15 ℓ
Flywheel horsepower	224 HP/2200 rpm
Max. torque	86.4 kg.m (847N.m)

### TORQUE CONVERTER:

Type	3-element, single stage, single phase
------	---------------------------------------

### TRANSMISSION:

Type	Full-powershift with modulation, spur gear type
------	---

### AXLE:

Drive system	Four wheel drive
Front	Fixed, full floating
Rear	Center pin support, full floating
Differential gear	Torque proportioning
Final reduction gear	Planetary gear, single reduction

### WHEELS:

Tires	23.5-25-16 PR (L-3)
Rims	19.50 x 25 WTB

### BRAKES:

Service brake	4 wheel hydraulically actuated, enclosed, wet type disc brakes
Parking brake	Wet type multiple-disc brake actuates front drive shaft
Emergency brake	Parking brake is commonly used

### STEERING:

Type	Articulated type, full hydraulic power steering
Steering angle	40°, each direction

### HYDRAULIC SYSTEM:

Steering :	
Hydraulic pump	Gear pump
Relief valve setting	210 kg/cm <sup>2</sup>
Hydraulic cylinder:	
Type	Double acting, piston type
No. of cylinders - bore x stroke	2-90 mm x 442 mm
Control valve	Spool type with demand valve
Dozer control:	
Hydraulic pump	2 gear pumps, one for switch pump
Relief valve setting	210 kg/cm <sup>2</sup>
Hydraulic cylinder:	
Type	Double acting, piston type
No. of cylinders - bore x stroke	Lift 1 - 130 mm x 870 mm Tilt 2 - 130 mm x 210 mm

### HITCH:

Type	Fixed type
Hitch height above ground	1165 mm

### SERVICE REFILL CAPACITIES:

Cooling system	53 ℓ
Fuel tank	320 ℓ
Engine	28 ℓ
Torque converter and transmission	60 ℓ
Differential, final drive case, each side	60 ℓ
Hydraulic system	92 ℓ

Specifications are subject to change without notice.

**KOMATSU**

Form No. CEN0000500

Printed in Japan 200408 IP. AD(05)